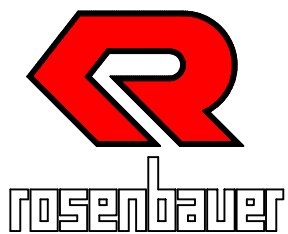
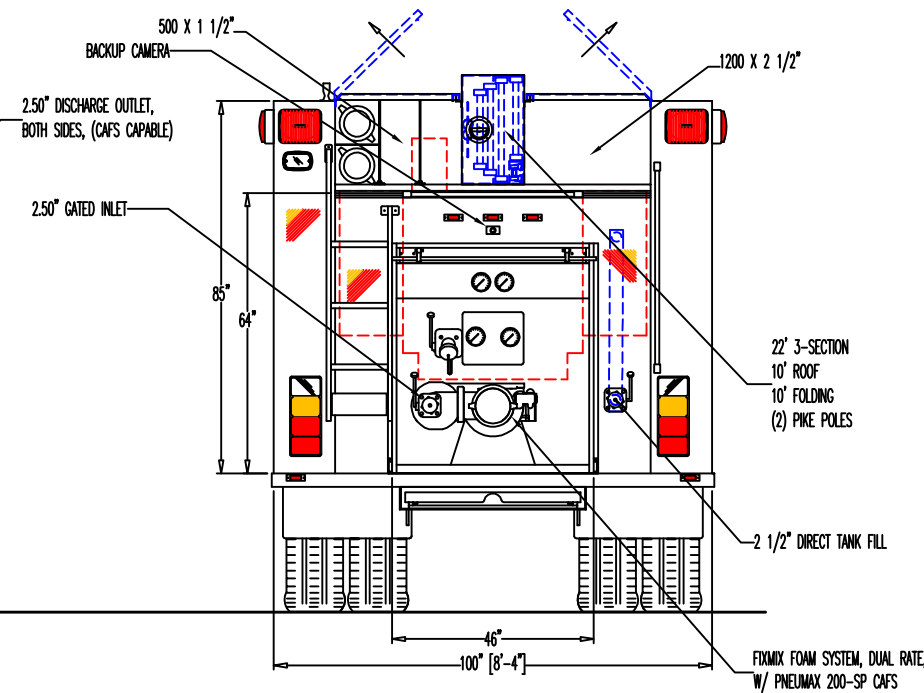
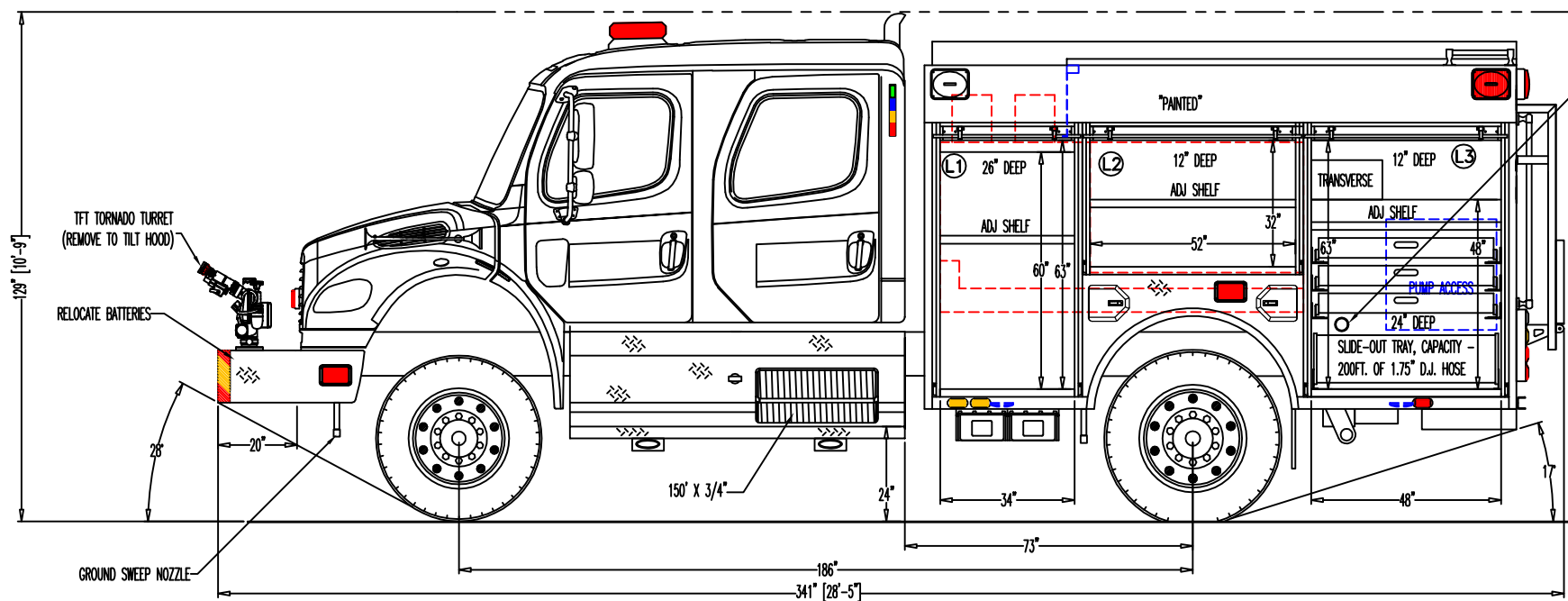
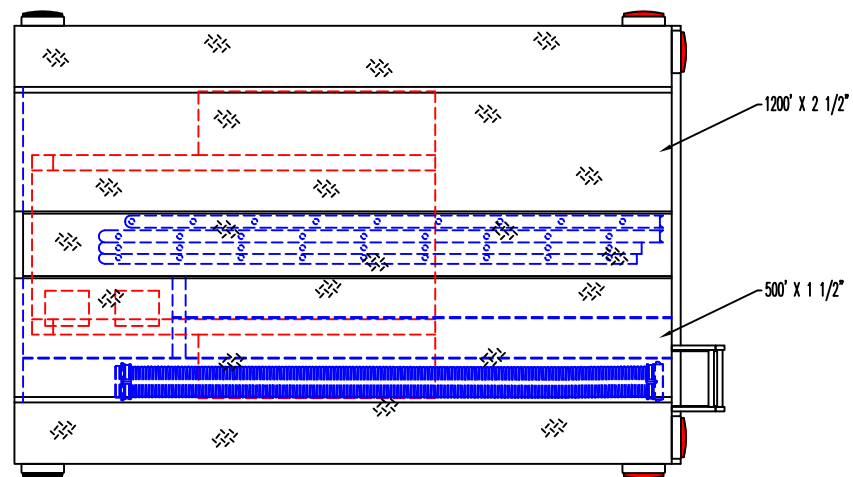


SIREN SPEAKER 150" 1 3/4" BATTERIES RE-LOCATED OUTBOARD EACH SIDE



DO NOT SCALE DRAWING. ALL DIMENSIONS ARE APPROXIMATE AND SUBJECT TO ENGINEERING CHANGES DUE TO CHASSIS VARIATIONS. BLUEPRINT DOES NOT NECESSARILY SHOW ALL ITEMS IN THE SPECIFICATIONS.

- PROPOSED -
CASPER MOUNTAIN FIRE

NOTES:
OVERALL HEIGHT IS IN LOADED CONDITION

MINNESOTA DIV.		DWG# P4277-04
REV 3: 7-6-2011 JPF	DRAWN: 02-14-2011	CHASSIS: FREIGHTLINER M2 106 4X4
REV 4: 12-28-11 RJR	DRAWN BY: DTW	BODY MAT'L: ALUMINUM
	VEHICLE TYPE: TIMBERWOLF	SUBFRAME MAT'L: ALUMINUM
	FILE #: N/A	TANK MAT'L/GALS: POLY/750/30(FOAM)
	SCALE: DNS	WEIGHT FRONT:
	PUMP: ROSENBAUER NH 1000 GPM	WEIGHT REAR: