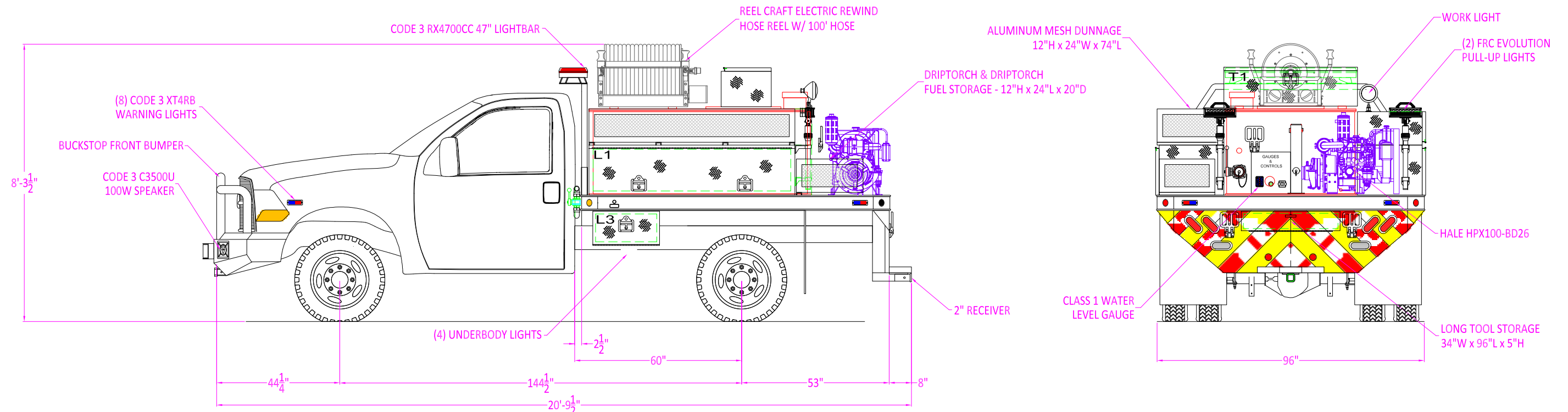
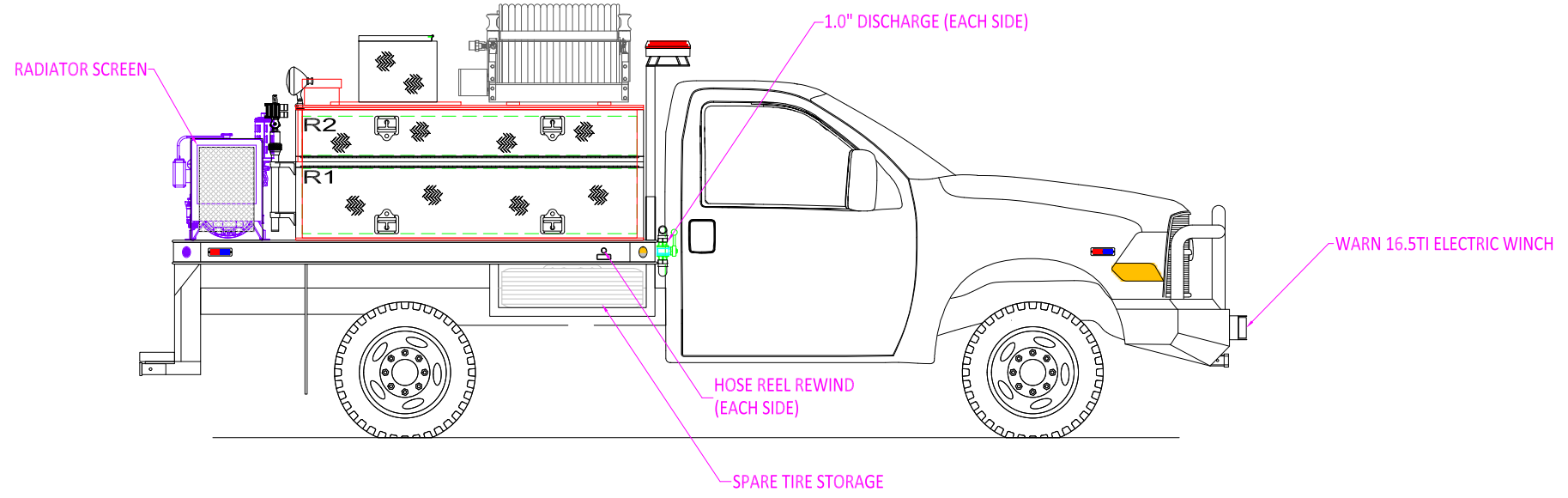


DIMENSIONS			
	WIDTH	HEIGHT	DEPTH
L1	74"	18"	24"
L2	24"	12"	20"
R1	80"	18"	24"
R2	80"	12"	24"
T1	48"	14"	18"
	WIDTH	LENGTH	HEIGHT
TANK	48"	84"	26"
FLATBED	96"	111"	11"



PROPRIETARY AND CONFIDENTIAL
 THE INFORMATION CONTAINED IN THIS DRAWING IS THE SOLE PROPERTY OF MAXFIRE FIREFIGHTING SOLUTIONS. ANY REPRODUCTION IN PART OR AS A WHOLE WITHOUT THE WRITTEN PERMISSION OF MAXFIRE FIREFIGHTING SOLUTIONS IS PROHIBITED.

- NOTES:
1. OVERALL HEIGHT IS IN LOADED CONDITION. UNLOADED HEIGHTS MAY BE 4" ABOVE HEIGHTS SHOWN.
 2. ALL DIMENSIONS ARE APPROXIMATE AND SUBJECT TO ENGINEERING CHANGES.
 3. DRAWING MAY OR MAY NOT SHOW ALL ITEMS AS DESCRIBED IN THE WRITTEN DETAIL SPECIFICATION. IF A DISCREPANCY IS FOUND, THE WRITTEN SPECIFICATIONS SHALL PREVAIL.

CHASSIS:	DODGE RAM 5500 4DR 4X4 DIESEL	UNLESS OTHERWISE SPECIFIED:	NAME	DATE
PUMP:	HALE HPX100-BD26	DIMENSIONS ARE IN INCHES	DRAWN	TCC
WATER:	400 GALLON POLY	TOLERANCES:	REVISION	TCC
FOAM:	-	FRACTIONAL ± 1/16	REVISION	
OTHER:	-	ANGULAR: MACH ± .05	APPROVED BY:	
OTHER:	-	BEND ± 0.5°		
		TWO PLACE DECIMAL ± .06		
		THREE PLACE DECIMAL ± .015		
		MATERIAL		
	WILDLAND TYPE 6 FLATBED	DO NOT SCALE DRAWING		



TITLE:		
FORT CARSON		
SIZE	DWG. NO.	REV
B	FB-FTCARSON	-02
SCALE: 1:1		SHEET 1 OF 1