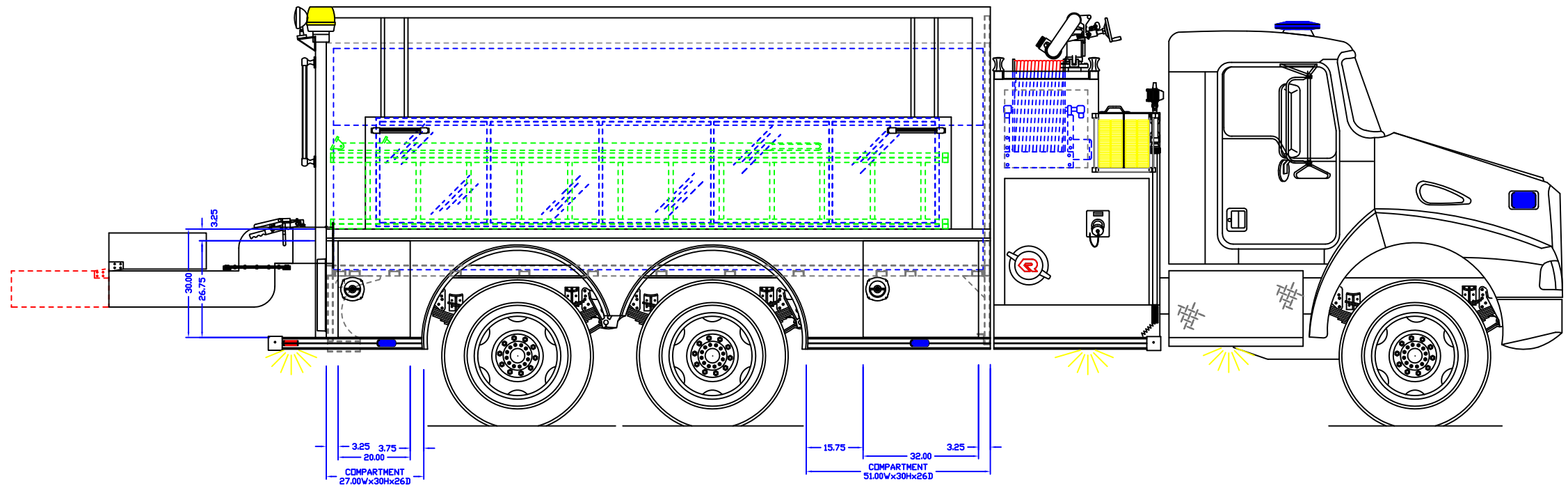
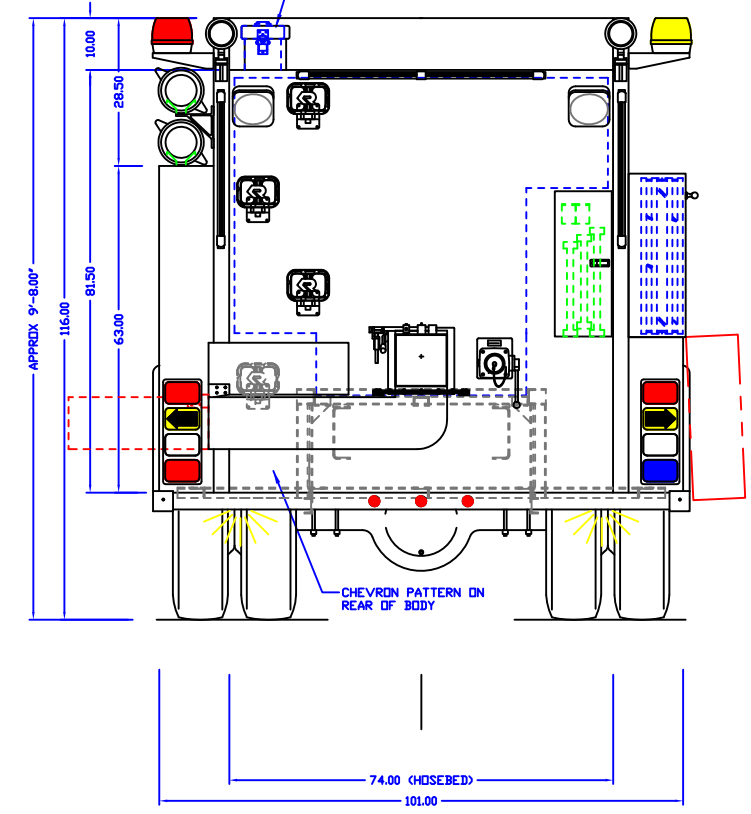
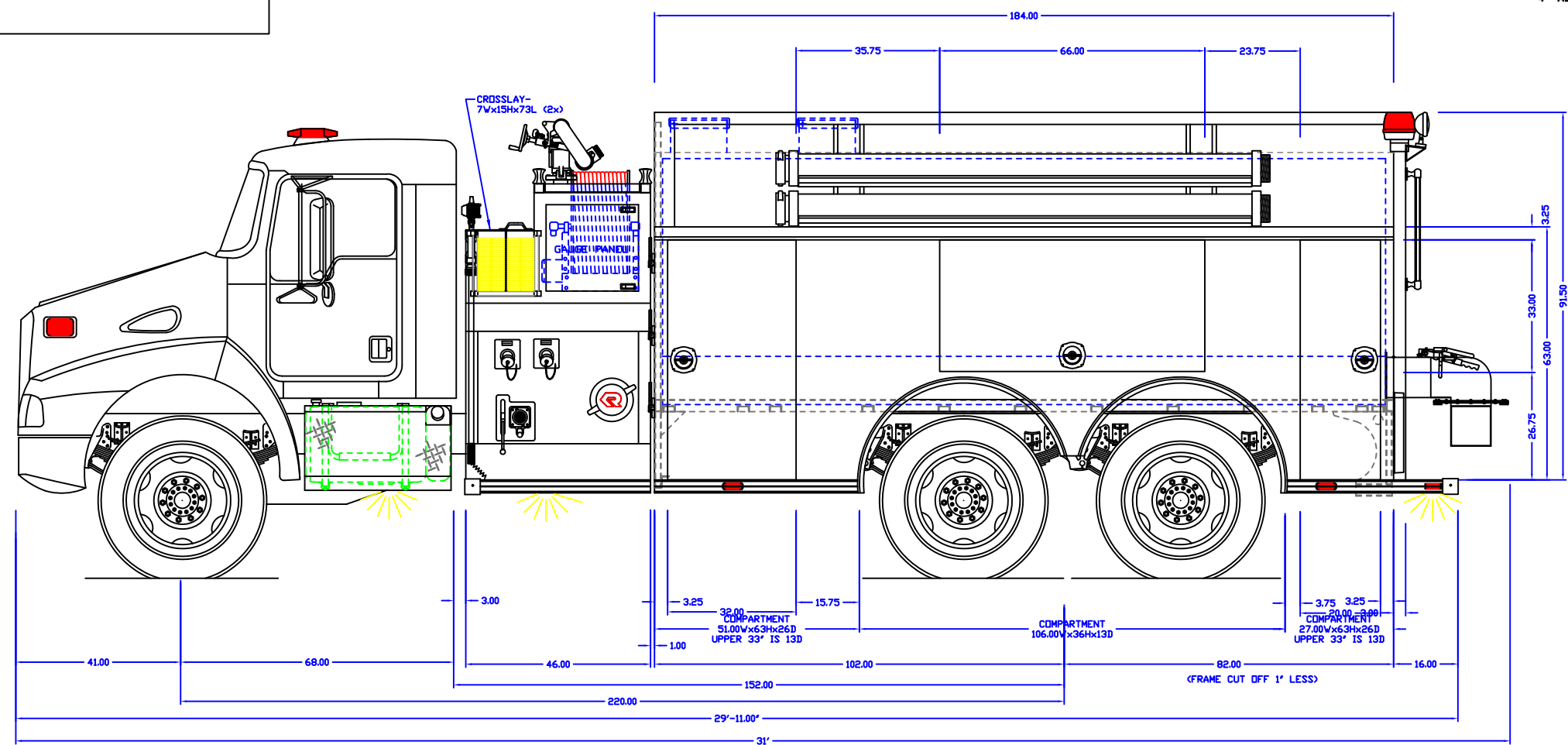


APPROVED BY:

NOTE: UNLOADED HEIGHTS MAY BE 4" ABOVE HEIGHTS SHOWN

HOSEBED- 74Wx184Lx10H
76 CU FT CAP
55 CU FT MINIMUM CAP
LOAD- 2-1/2"x1500"



NOTE: TANK CAP- 2500 GAL POLYPROPYLENE
12 GAL CAP FOAM CELL IN MAIN TANK (1x)
PUMP CAP- 1000 GPM HALE
DIMENSIONS SHOWN ARE APPROXIMATE AND ARE SUBJECT TO MINOR DEVIATIONS DURING CONSTRUCTION
NOT ALL ITEMS IN SPECS ARE SHOWN ON THIS PRINT
COMPARTMENT INTERIORS SPATTER PAINT
SIDE PUMP PANELS BLACK THERMOPLASTIC
NFPA UPPER LIGHT PACKAGE- WHELEN
NFPA LOWER LIGHT PACKAGE- WHELEN

NONE	MAXIMUM HEIGHT	DFTH W/LM DATE: 08-11-11	DFTH W/LM REVISION: 08-17-11
31'	MAXIMUM LENGTH	ROSENBAUER FX	
101"	BODY WIDTH		



WABUNSEE COUNTY
FIRE DISTRICT #5, KS