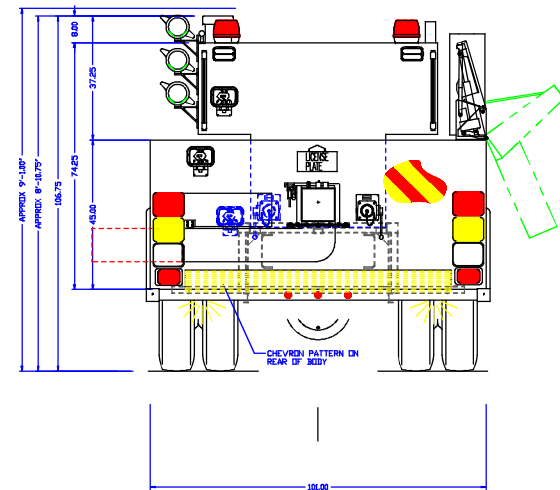
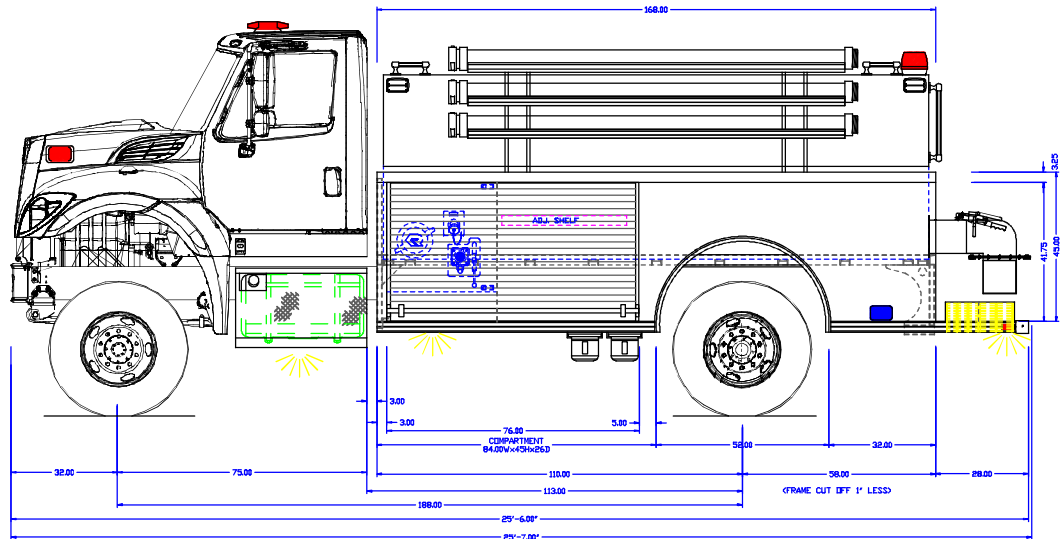
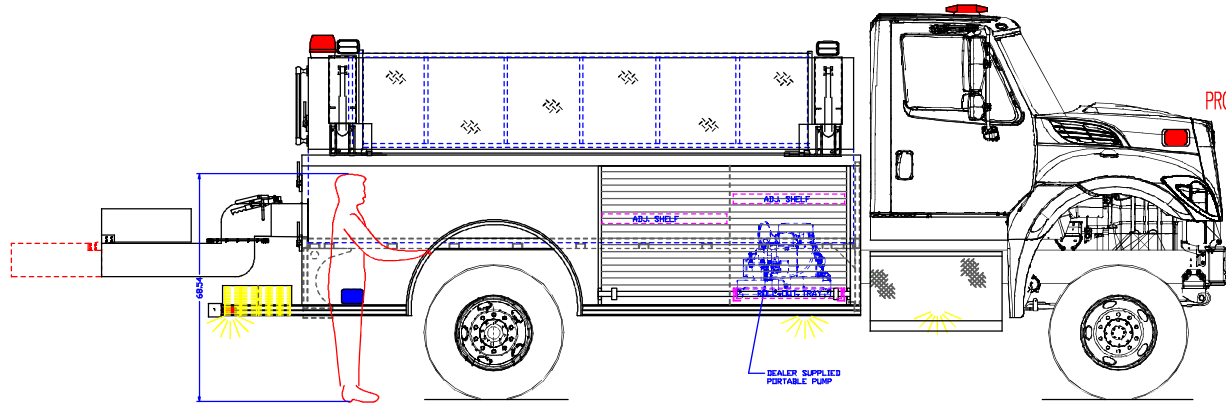


- NOTES:
1. OVERALL HEIGHT IS IN LOADED CONDITION. UNLOADED HEIGHTS MAY BE 4" ABOVE HEIGHTS SHOWN.
 2. DO NOT SCALE DRAWING.
 3. ALL DIMENSIONS ARE APPROXIMATE AND SUBJECT TO ENGINEERING CHANGES.
 4. DRAWING MAY OR MAY NOT SHOW ALL ITEMS AS DESCRIBED IN THE WRITTEN DETAIL SPECIFICATIONS.
 5. INCLUSION OF AN ITEM ON THE DRAWING DOES NOT CONSTITUTE INCLUSION OF THAT ITEM WITH THE FINAL DELIVERED UNIT.



OK FOR PRODUCTION
 INITIALS: JW
 JOB NUMBER: 21048
 DATE: 05-13-12

MAIN FILE: _____
 DEPT: _____
 DEALER: _____
 PRODUCTION APPROVED



APPROVED BY: _____

CHASSIS:	NAVISTAR 7400 2DR
PUMP:	DARLEY 500 GPM
TANK:	POLY/2000
PANEL MATL:	THERMOPLASTIC
COMP INTERIOR:	NATURAL FINISH
MAXIMUM HEIGHT	NONE
MAXIMUM LENGTH	NONE
BODY WIDTH	101"

REVISED: MMA	DATE: 03-15-12
REVISED: WLM	DATE: 12-30-11
DRAWN: VLM	DATE: 12-22-11

PROPRIETARY AND CONFIDENTIAL
 THE INFORMATION CONTAINED IN THIS DRAWING IS
 THE SOLE PROPERTY OF ROSEBAUER. ANY
 REPRODUCTION IN PART OR AS A WHOLE WITHOUT
 THE WRITTEN PERMISSION OF ROSEBAUER IS
 PROHIBITED.

CHAFFEE COUNTY FPD, CO



ROSEBAUER FX 1/8"
 DRIVING NUMBER: chaffee co, co 4x4
 REV: 0